



Cover, FRP, Tier 15, 48"x78"

By QUAZITE
Catalog # [C1B487803A017](#)



Quazite FRP ANSI/SCTE 77 certified enclosure covers feature a strong and durable polymer concrete ring and cover in a multitude of sizes with a vast array of options allowing customization for any application.

*Representative Image

Features

- Combination of fiberglass base and polymer concrete ring and cover
- Lightweight and durable
- Fire and chemical resistant
- Multiple styles and sizes available

General

| | |
|----------------------------------|-------------------------------|
| Insulated? | No |
| Load Rating (ANSI Tier) | T15 |
| Logo Code | 017 |
| Logo Included? | Yes |
| Logo Text | Electric |
| Material | Fiberglass Reinforced Polymer |
| Weight Load Rating (Design/Test) | 15,000/22,500 lb |

Dimensions

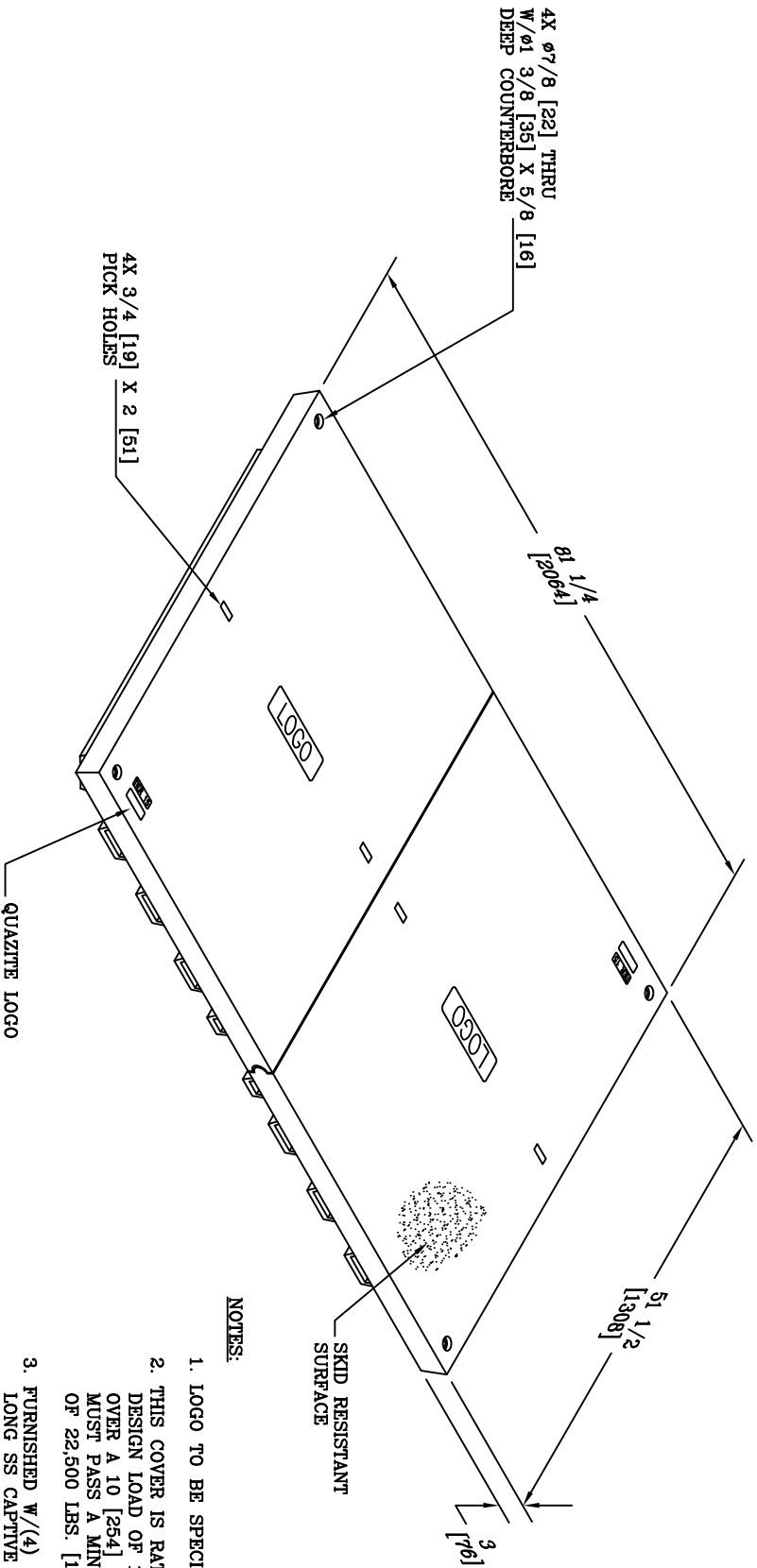
| | |
|------------|----------------------|
| Dimensions | 78 in x 48 in x 3 in |
| Height | 3 in |
| Length | 78 in |
| Weight | 420 lb |
| Width | 48 in |

Product Assets

[Catalogs - Underground Enclosures \(CA07017E_UG_23_WEB\)](#)
[Literature - Quazite® FRP Cover Options \(Logos\)](#)
[Sales Drawings - Quazite 48 X 78 X 03 Cover Standard Version \(C1B487803A\)](#)
[Video - PenCell® How It's Made \(VI07068E0617\)](#)
[Video - PenCell® Enclosures \(VI07062E0617\)](#)
[Video - Hubbell Power Systems How to Install Small Enclosures \(VI0750E\)](#)




A proud member of the Hubbell Family.

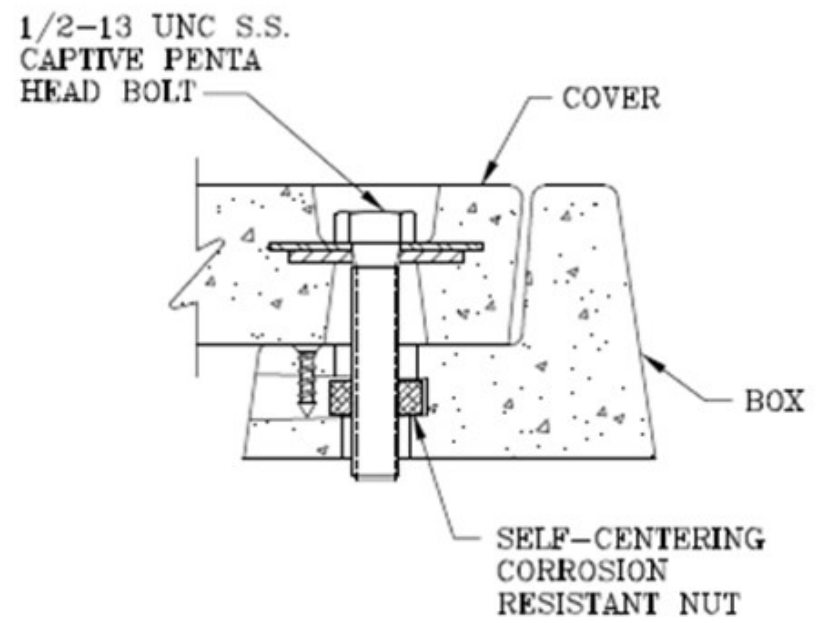
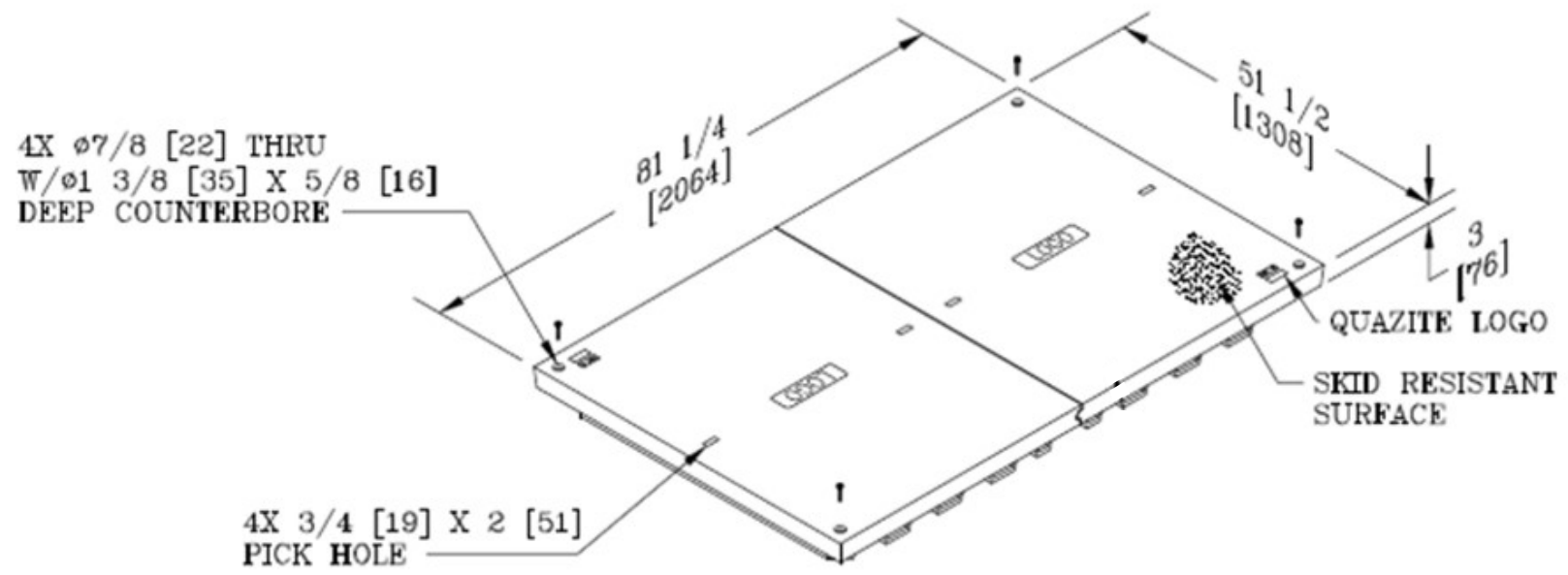


NOTES:

1. LOGO TO BE SPECIFIED: _____.
2. THIS COVER IS RATED FOR A STATIC DESIGN LOAD OF 15,000 LBS. [66,723 N] OVER A 10 [254] X 10 [254] AREA AND MUST PASS A MINIMUM STATIC TEST LOAD OF 22,500 LBS. [100,080 N].
3. FURNISHED W/(4) 1/2-13 UNC X 4 1/2 [114] LONG SS CAPTIVE PENTA HEAD BOLTS.
4. OLD P/N: C12-4878-23

DIMENSIONS ARE IN INCHES OR MILLIMETERS IN BRACKETS UNLESS OTHERWISE NOTED.

| | | | | | | |
|--------|----------------|---------|---------|--------------------|---|------------|
| DESIGN | PROJECT NUMBER | SUBJECT | 1-02 | 1 | DRAWING NUMBER | C1B487803A |
| BY | DATE | WEIGHT | 400# | 181kg |  HUBSBELL 7801 INDUSTRIAL PARK DR MEMPHIS, TN 38117 901-348-3082 www.hubsbell.com | |
| CHKD | 5/28/10 | MTS | QUAZITE | 48 X 78 X 03 COVER | STANDARD VERSION REV B 9/10 | |
| APPR | 5/6/10 | B | | | | |

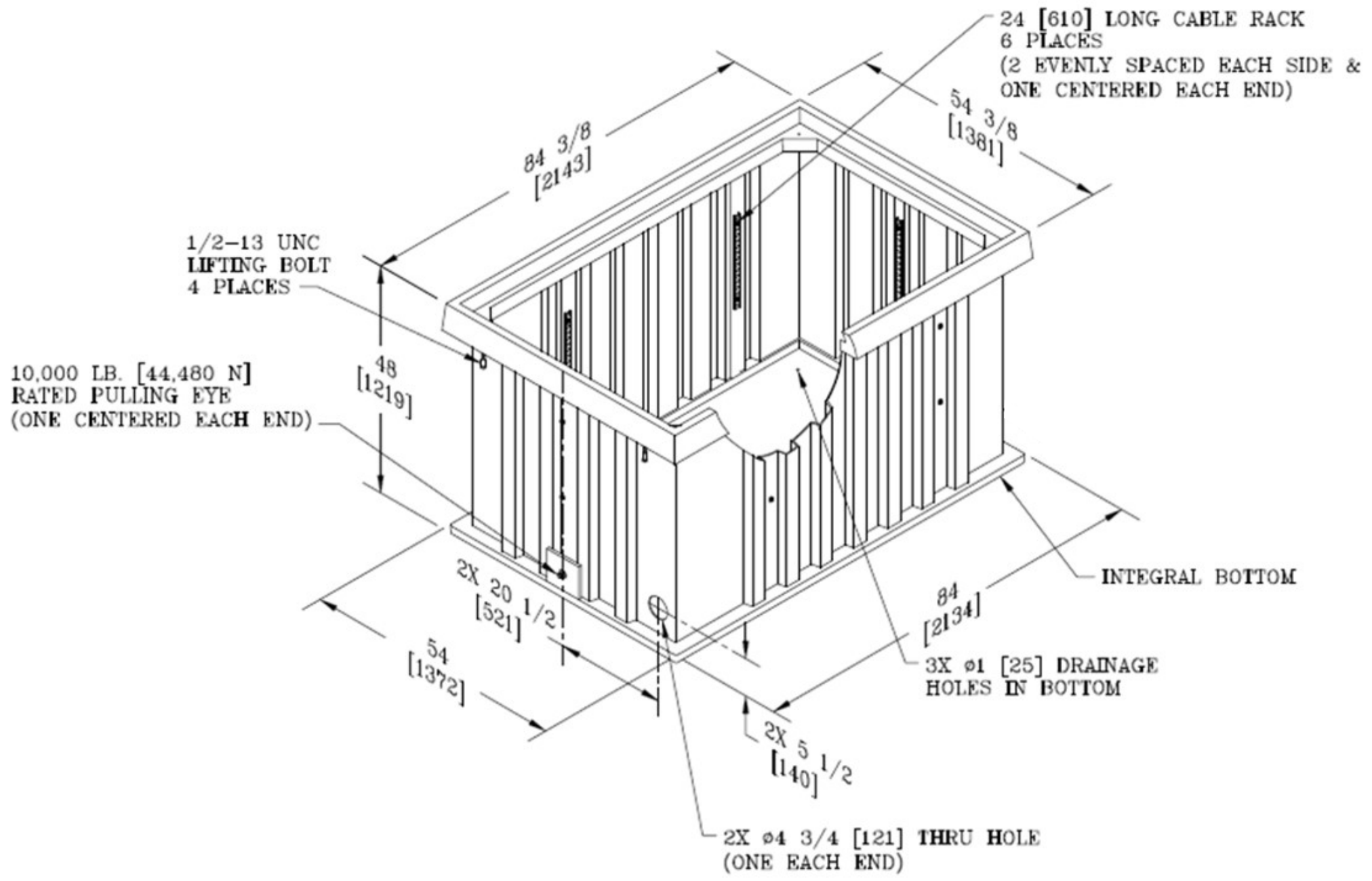


BOLT DOWN DETAIL

CUSTOMER APPROVAL


APPROVED BY: _____

DATE: _____



NOTES:

- CUSTOMER IS LOGO TO BE SPECIFIED: _____
- THIS ASSEMBLY IS RATED FOR A STATIC DESIGN LOAD OF 15,000 LBS. [66,720 N] OVER A 10 [254] X 10 [254] AREA AND MUST PASS A MINIMUM STATIC TEST LOAD OF 22,500 LBS. [100,080 N].

| DIMENSIONS ARE IN INCHES OR MILLIMETERS IN BRACKETS UNLESS OTHERWISE NOTED. | | | |
|---|---------|----------------|---|
| BY | DATE | WEIGHT |  3621 INDUSTRIAL PARK DR LENOIR CITY, TN 37771 800-346-3062 www.quazite.com |
| DRN | 2/10/11 | 902# 409kg | |
| CHK | 2/10/10 | SCALE | DRAWING DESCRIPTION CDR™ 48 X 78 X 48 ASSEMBLY W/(6) CABLE RACKS, (2) $\phi 3/4$ THRU HOLES, & (2) 10,00# PULLING EYES |
| ENG | | NIS | |
| APR | 2/10/11 | SIZE | |
| APR | | B | |
| ESR OR PROJECT NUMBER | | DRAWING NUMBER | |
| 102749 | | A1B4878517 | |
| | | SHEET 1 OF 1 | |